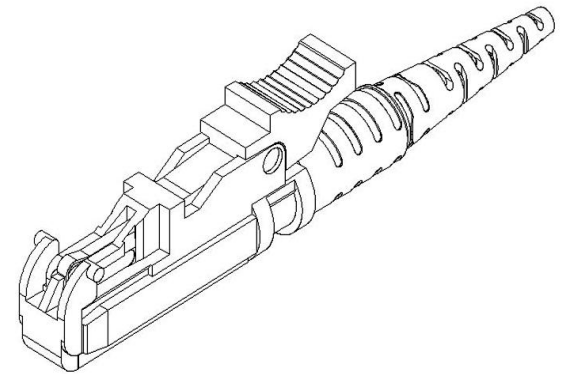
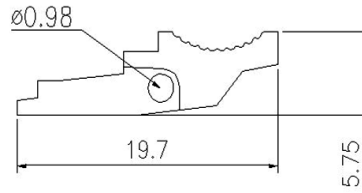
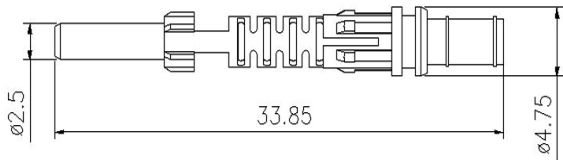
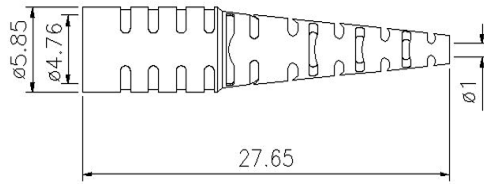
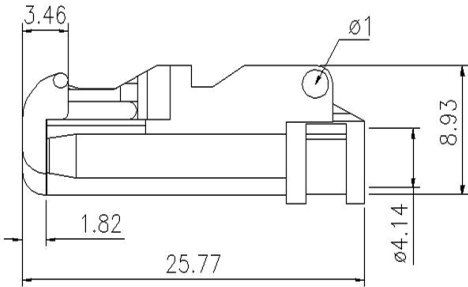


1 2 3 4


NUMBER	PART	MATERIAL
1	HOUSING	ABS/PC
2	BOOT	TPR
3	FERRULE	ZrO2



**NOTES:**

1. SIMPLEX TYPE.
2. INSERTION LOSS:<0.2DB.
3. OPERATING TEMPERATURE: -20 °C to +70 °C.
4. STORAGE TEMPERATURE: -40 °C to +80 °C
5. PACKAGING QUANTITY 100PIECE
6. THIS PRODUCT COMPLIES WITH ROHS.
7. COLOR:BLUE, GREEN, GRAY

Material		
ITEMS	SPECIFICATIONS	QTY
1		
2		
3		

x. ± 5	x° ± 5°	ECN.NO.	UNITS	 <b>TITLE:</b> <b>E2000 0.9MM SIMPLEX CONNECTOR</b>		
.x ± 0.05	.x° ± 0.1°		mm			
.xx ± 0.01	.xx° ± 0.05°	DRAWER	MAT'L			
.xxx ± 0.001	.xxx° ± 0.01°	L	N/A			
THIS DOCUMENT IS THE PROPRIETARY PROPERTY OF INTERNATIONAL.SUCH INFORMATION SHALL NOT BE REPRODUCED NOR DISCLOSED WITHOUT THE WRITTEN CONSENT OF INTERNATIONAL.			APPD.	<b>DWG NO.:</b> <b>GSCON01021</b>		
			RFV		FINISH	
			A		N/A	
			DATE	SCALE	SHEET	REV.
			2018/4/12	N/A	1/1	A

1 2 3 4 5 6