

1

2

3

4

5

6

A

B

C

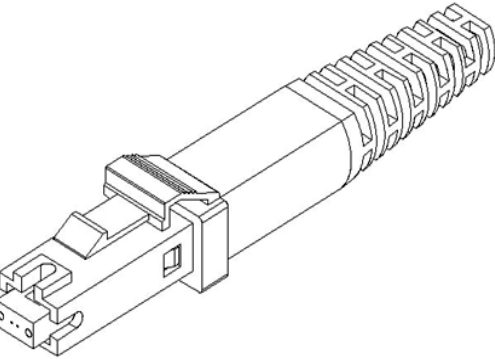
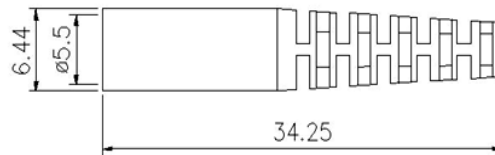
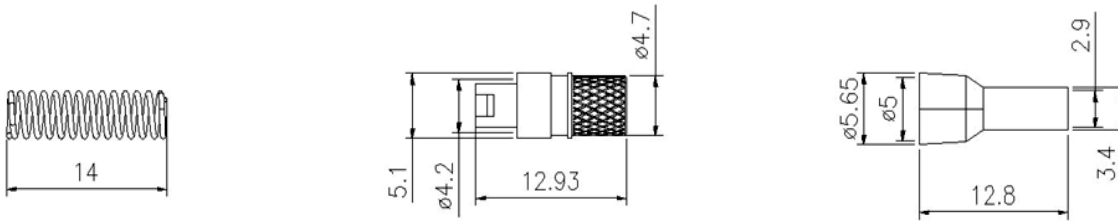
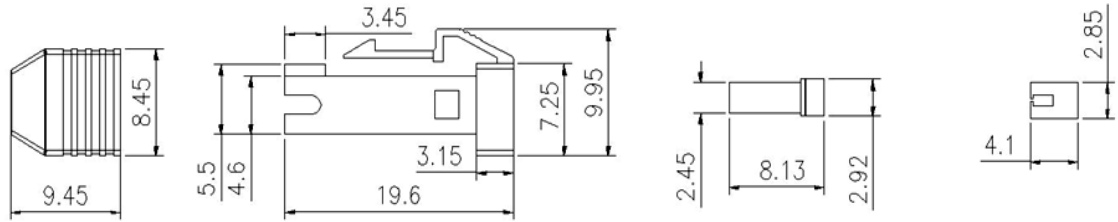
D

A

B

C

D




NUMBER	PART	MATERIAL
1	HOUSING	ABS/PC
2	DUST CAP	PE
3	BOOT	TPR
4	FERRULE	PPS

NOTES:

1. MTRJ DUPLEX TYPE.
2. INSERTION LOSS:0.35DB~0.7DB.
3. OPERATING TEMPERATURE: -20℃ to +70℃.
4. STORAGE TEMPERATURE: -40℃ to +80℃
5. PACKAGING QUANTITY 100PIECE
6. THIS PRODUCT COMPLIES WITH ROHS.
7. COLOR:BLACK

Material		
ITEMS	SPECIFICATIONS	QTY
1		
2		
3		

x. ± 5	x° ± 5°	ECN.NO.	UNITS			
.x ± 0.05	.x° ± 0.1°		mm			
.xx ± 0.01	.xx° ± 0.05°	DRAWER	MAT'L	TITLE:		
.xxx ± 0.001	.xxx° ± 0.01°	L	N/A		MTRJ DUPLEX CONNECTOR	
THIS DOCUMENT IS THE PROPRIETARY PROPERTY OF INTERNATIONAL.SUCH INFORMATION SHALL NOT BE REPRODUCED NOR DISCLOSED WITHOUT THE WRITTEN CONSENT OF INTERNATIONAL.			APPD.	DWG NO.:	GSCON01027	
			RFV	FINISH		
			A	N/A		
			DATE	SCALE	SHEET	REV.
			2018/4/12	N/A	1/1	A

1

2

3

4

5

6